



NCS-C441 MultiSwitcher Combiner Instruction Sheet

Introduction

The NCS-C441 Multiswitcher Combiner provides sharing of one radio by up to 4 C250s or C251s.

Items Supplied

Items supplied with the NCS-C410 are:

1. NCS-C441 Multiswitcher Combiner
2. NCS-C441 Power Pigtail
3. This Instruction Sheet

The Radio Cable and the cables to the C250s (NCS-PICA-XX) are supplied separately.

NCS-C441 Installation

The Multiswitcher Combiner is installed between up to 4 NCS-C250/C251s and a radio as shown in the diagram on the following page. The Power Pigtail should be connected to a regulated 12-16VDC power source capable of at least 50mA. When power is applied correctly, the Green Power LED will be illuminated.

NCS-C410 Setup and Operation

When the C441 is turned on, the red PTT FAULT will illuminate for approximately one second while the unit checks for stuck PTT lines. If a stuck PTT line is detected at power up, the red PTT FAULT LED will remain on and an alarm tone (beeping) will be sent to the C250 with the stuck PTT.

During operation, all C250s get Receive Audio from the radio. Only one C250 can transmit on the radio at a time. If one C250 is transmitting, any other C250 attempting to transmit will be locked out, no mic audio will be sent to the radio and a beeping will be heard in the C250s Selected Audio channel. All C250s that are not transmitting will hear the transmit audio as well as the receive audio from the radio. The record output includes transmit and receive audio for the radio. The levels for the record output are set at the factory and should not need adjustment.

C441 CONNECTIONS

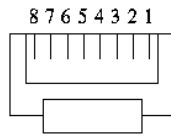
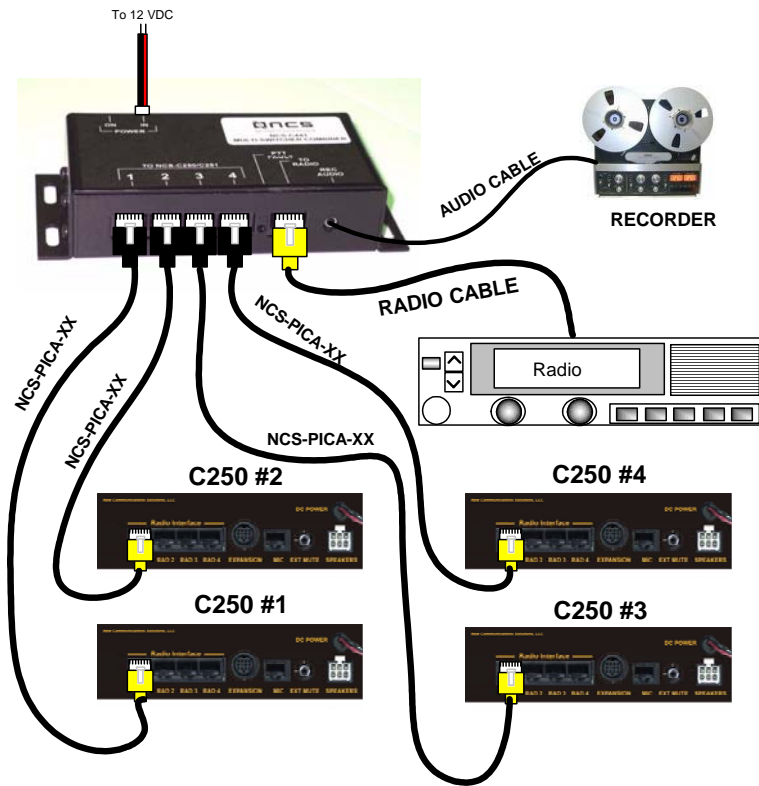


Figure 1:
End view of RJ45 Plug

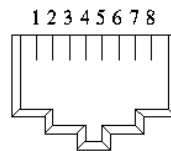


Figure 2:
Looking into an RJ45 Jack

Pin #	RADIO PORT	C250 PORTS	REMARK
1	TRANSMIT AUDIO OUT TO RADIO	TRANSMIT AUDIO FROM C250	
2	TRANSMIT AUDIO COMMON	TRANSMIT AUDIO COMMON	
3	PTT TO RADIO	PTT FROM C250	
4	GROUND	GROUND	
5	RECEIVE AUDIO FROM RADIO	RECEIVE AUDIO TO C250	
6	GROUND	GROUND	
7	HOOKSWITCH LINE	HOOKSWITCH LINE	DIRECT CONNECTION – NO FUNCTION IN C441
8	COR LINE	COR LINE	DIRECT CONNECTION – NO FUNCTION IN C441