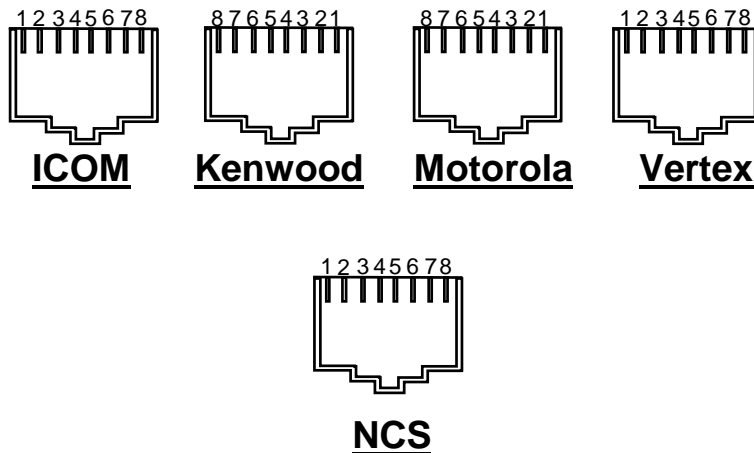


NCS-C250A Microphone Jumper Settings for Various Types of Microphones

This application note illustrates the NCS-C250A microphone jumper settings for various types of microphones and headsets. A photo of the microphone and the microphone setup area on the main PC board are shown for each microphone type or series. All microphones shown in this application note are terminated in an RJ-45 8 pin modular plug and are compatible for use with the NCS-C250 Mobile Multi-Switcher.

For microphones not listed in this document refer to NCS Application Note APN-250-100 "Set-up Procedure for Using Various Type Microphones with the NCS-C250".

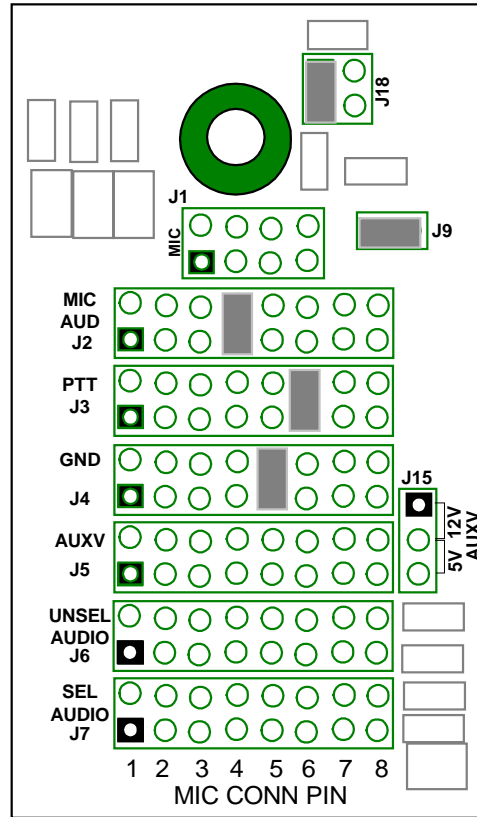
There is no standard among radio manufacturers for numbering of the RJ45 mic jacks and this is a frequent point of confusion in setting the mic jumpers in the NCS-C250 for a particular microphone. Refer to Application Note APN-250-100 for a detailed discussion. Shown below for reference are the RJ45 mic jacks found on various manufacturer's radios. Notice that the pin numbering for the Motorola and Kenwood RJ45 mic jack is opposite to that of the NCS-C250, while the Vertex and ICOM numbering is the same as that of the NCS-C250.



New Communications Solutions



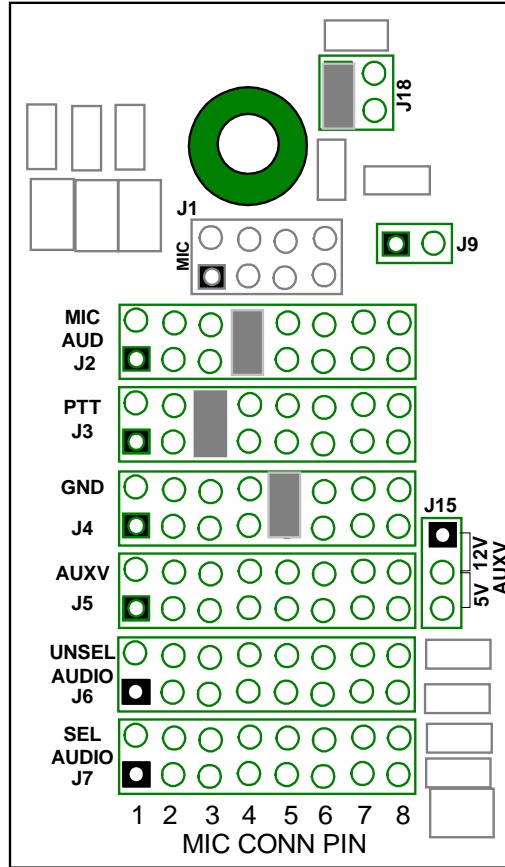
NCS-E216



New Communications Solutions



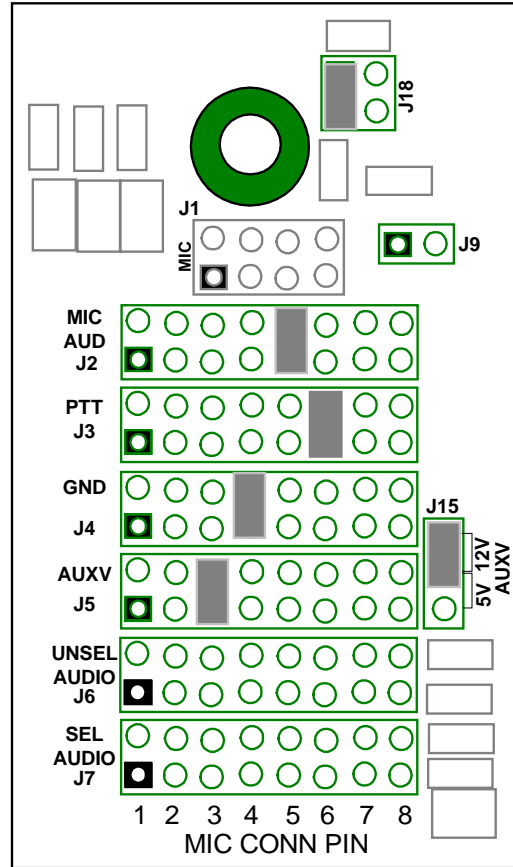
NCS-E212



New Communications Solutions



**NCS-E214
DTMF**



New Communications Solutions

Headsets



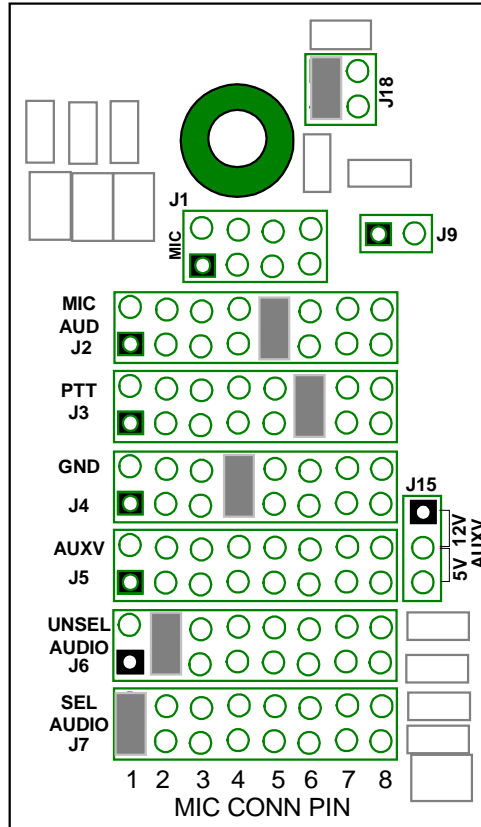
NCS-E304 ProSet Headset



NCS-E345 ProSet Plus Headset



NCS-E314 ProSet Quiet Phone Headset



Note:

The above jumper settings are valid when using the NCS-250-HHS-01.5 headset adaptor cable.

Motorola



HMN1035



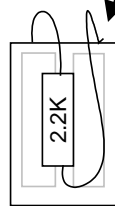
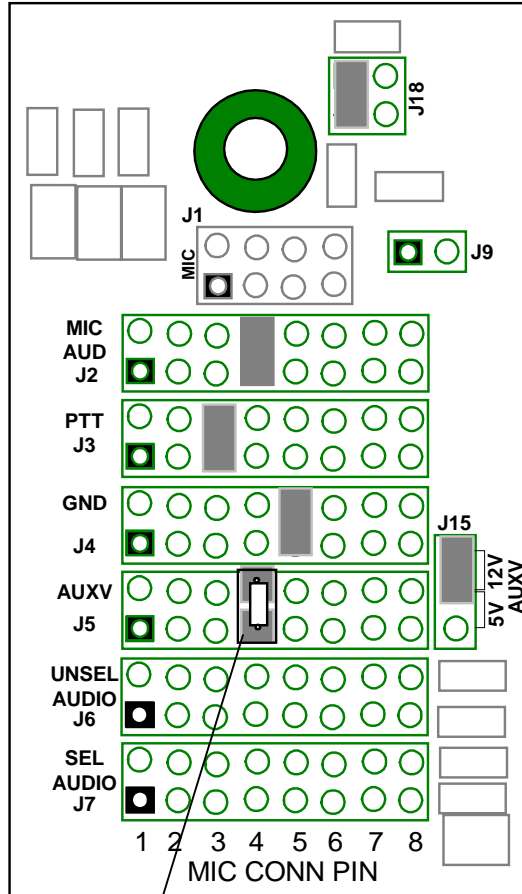
AARMN4025



HMN1056



HMN1038



Requires Special Jumper with 2.2K Ohm resistor installed.

Available from NCS
P/N NCS-MMJ-2K

Other compatible microphones:

Model	Description
AAREX4617B	Telephone style handset
HMN3000B	Desk Mic
HMN3596R	Compact palm mic

Kenwood



KMC-27AM



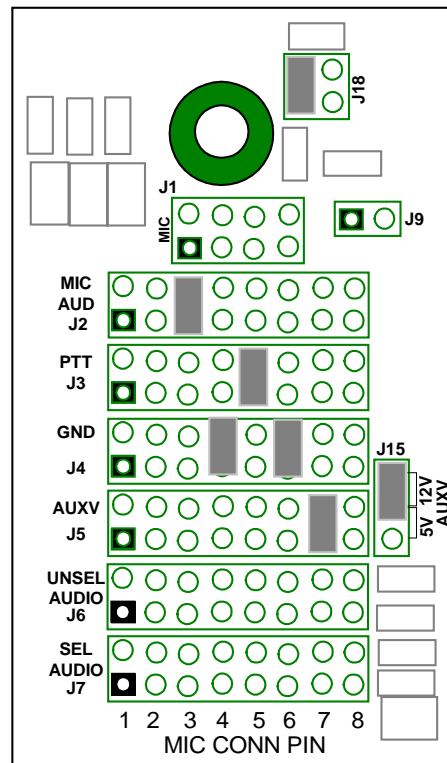
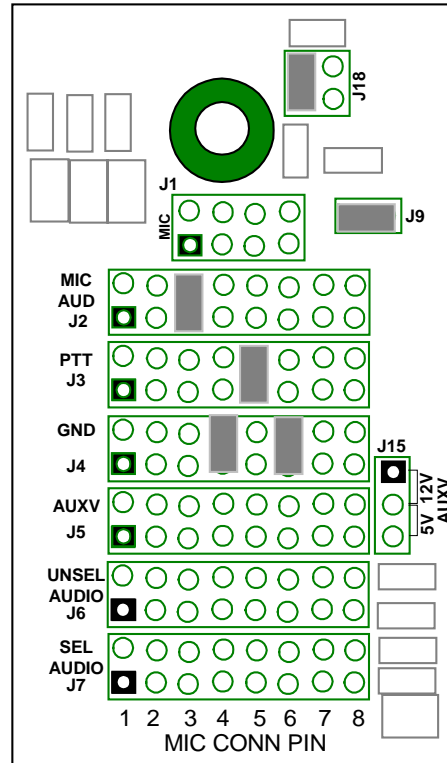
KMC-30M



KMC-35



KMC-9CM



"All at the Push of a Button"

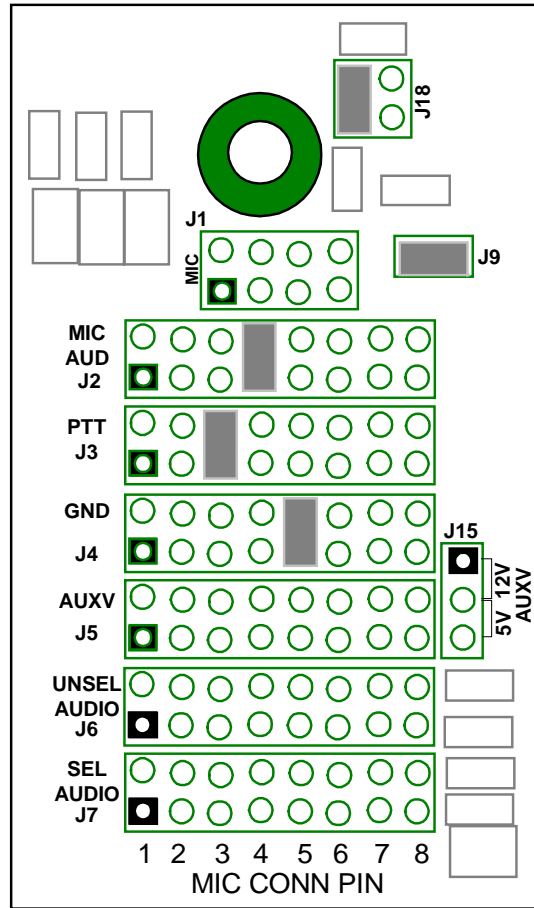
Vertex



MH-25A8J



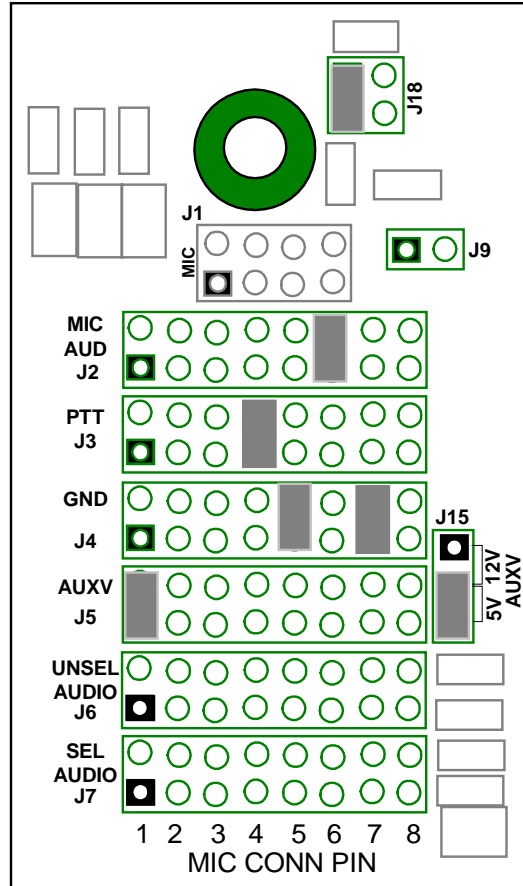
MD-11A8J



ICOM



HM-151



ICOM



HM-151T

