

NCS-3400 Multi-Patch™

Front Panel Connectors

- RCA Phono Connectors (Qty 30)
- 3.5 mm mono phone jacks (Qty 10)
- 6.4 mm (1/4") mono phone jacks (Qty 10)
- RJ-11 modular telephone jacks (Qty 6)

Front Panel Controls

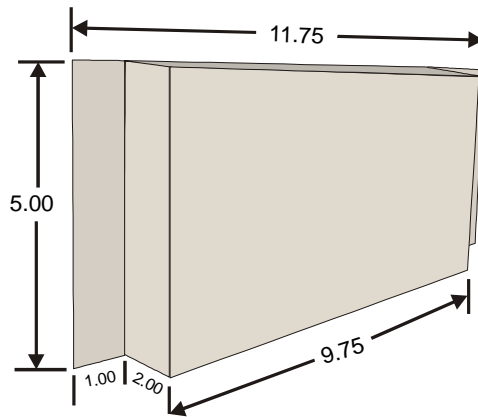
- Audio "Link" slide switches
- Telephone "Link" slide switches

Configuration

- 5 to 10 busses (rows) for audio and other low frequency signals
- 1 to 2 busses (rows) for telephone connections
- Each row is independently configurable for 1 or 2 busses depending on the setting of the "Link" switch.
- Single audio buss row configuration consists of:
 - o 6 RCA phono jacks
 - o 2 – 3.5 mm phone jacks
 - o 2 – 6.4 mm phone jacks
- Dual audio buss row configuration consists of:
 - o Buss #1
 - 6 RCA phono jacks
 - o Buss #2
 - 2 – 3.5 mm phone jacks
 - 2 – 6.4 mm phone jacks
- Single telephone buss row configuration consists of:
 - o 6 RJ-11 modular telephone jacks
- Dual telephone buss row configuration consist of:
 - o Telephone buss #1
 - 3 – RJ-11 modular telephone jacks
 - o Telephone buss #2
 - 3 – RJ-11 modular telephone jacks

Mechanical

- Enclosure material - .062" thick aluminum
- Paint – Powder Coat
- Color – RAL-7043
- Dimensions (Length x Depth x Height)
 - o 11.75 in x 2.0 in x 5 in (298 mm x 51 mm x 127 mm)



- Weight
 - o Approximately 3.5 lbs (1.6 kg)
- Mounting (see diagram)
 - o Outboard flange mount (#6 or #8 screw)
 - o Inboard keyhole (#6 or #8 screw)

